

Onderdelenlijst / Partslist;

Becx Onkruidborstel Kantensnijder OBKS 90-45

Versie; 22-12-2011

		blz./page
Overzicht compleet	Complete overview	2
Hoofdframe	Main frame	3
Snijarm	Cutter-arm	4
Borstelarm	Brush-arm	5
Spatlap	Mudguard	6
Hydraulische cilinders	Hydraulic cylinders	7
Hydraulische koppelingen	Hydraulic couplings	8
Hydraulische slangen	Hydraulic hoses	9

Frans Becx Tuinmachines B.V.

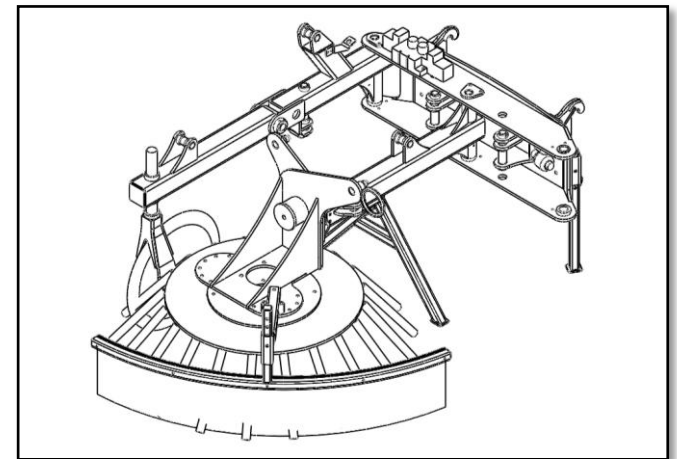
De Sonman 35

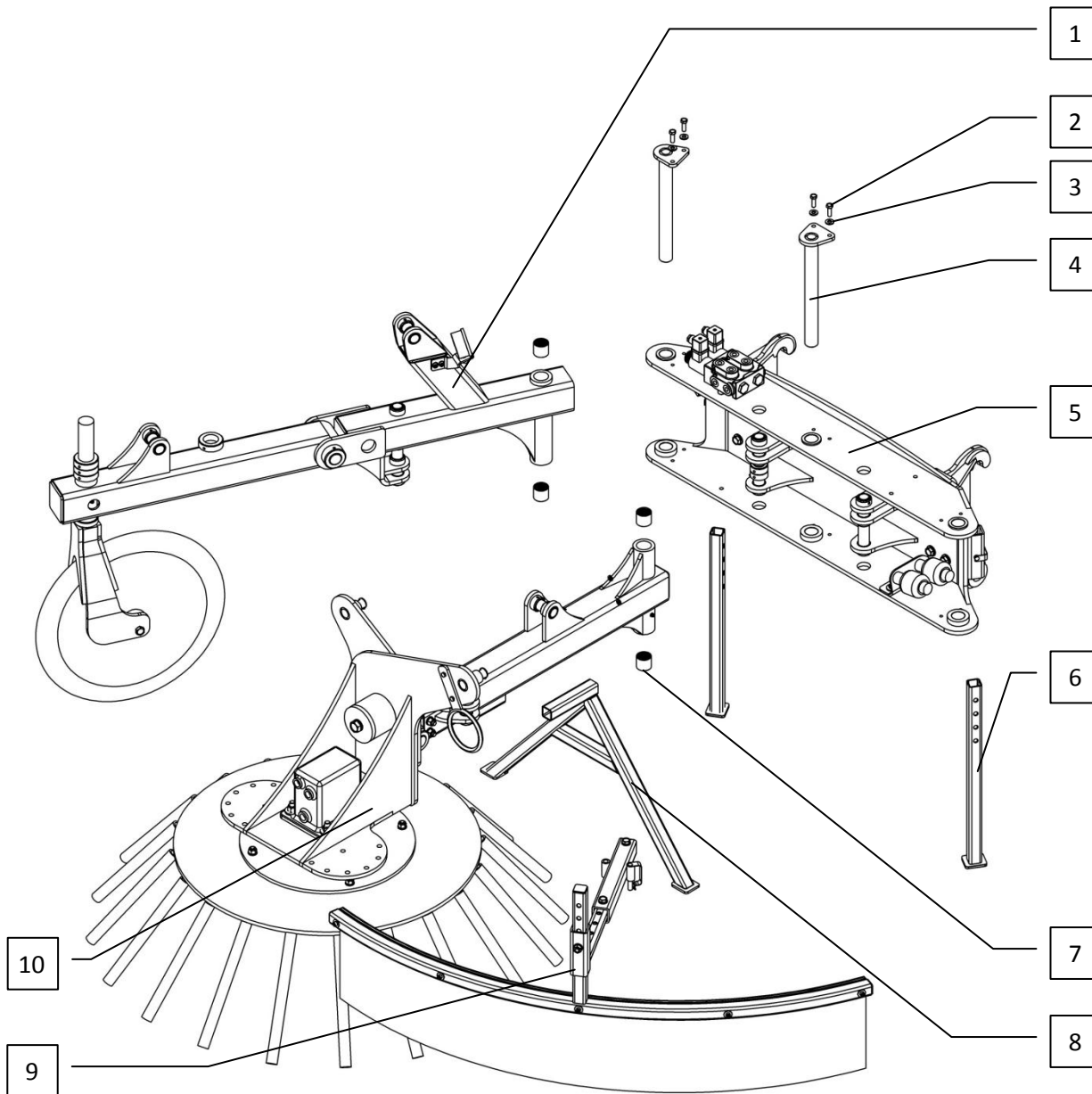
5066 GJ Moergestel

013-513 1140

info@fransbecx.nl

<http://www.fransbecx.nl>

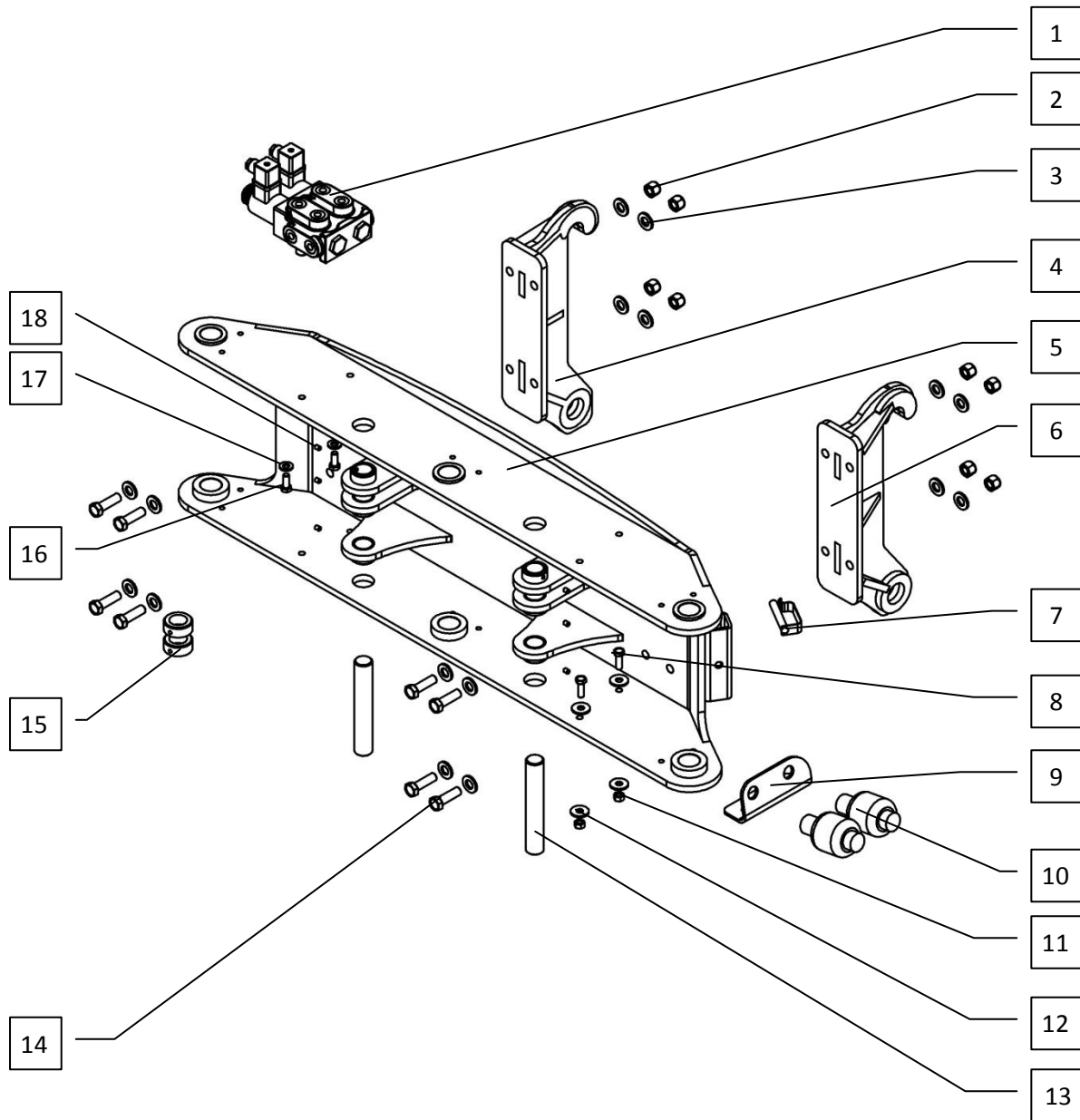




OBKS 90-45, compleet/complete

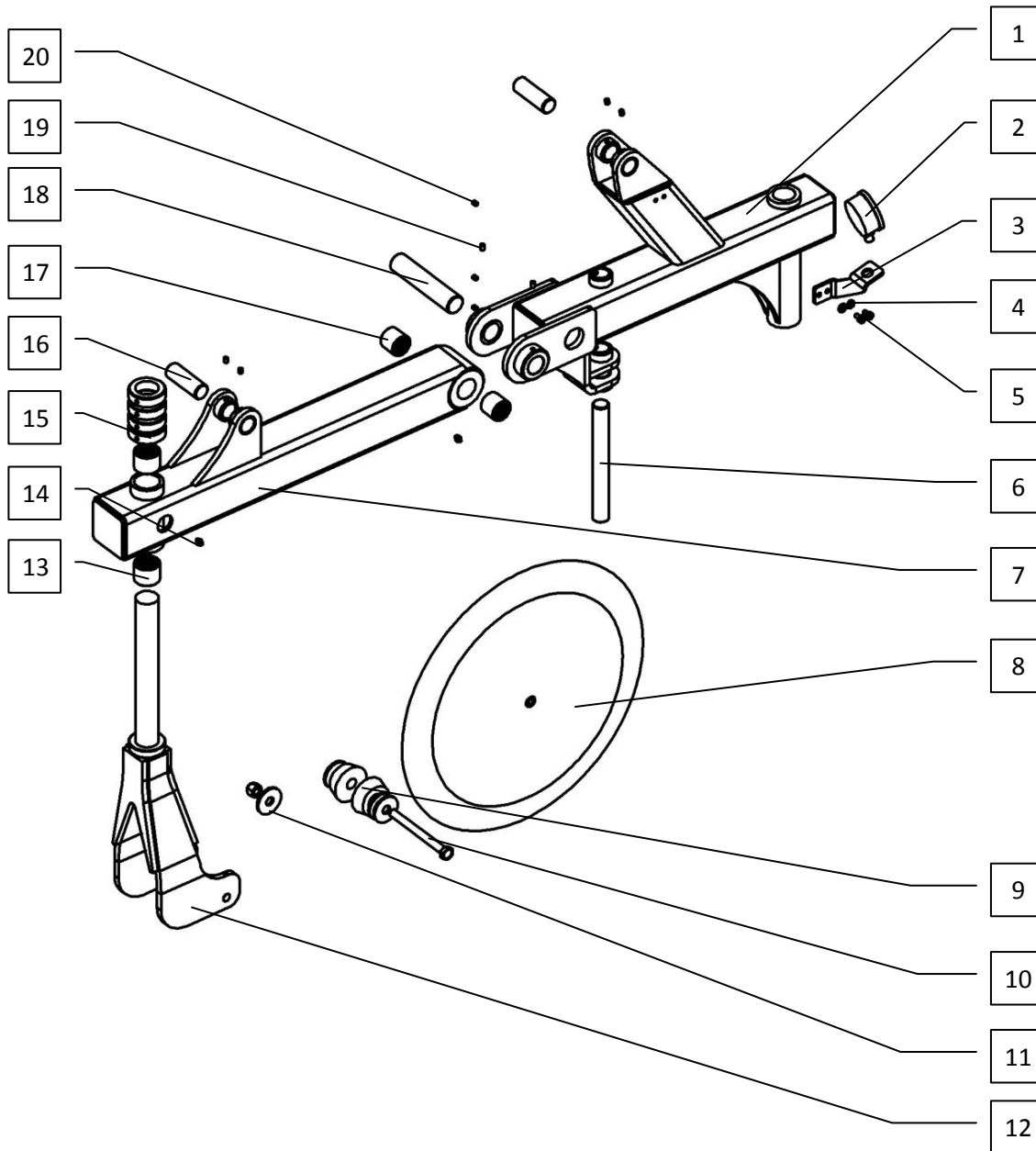
#	Aantal/ number	Artikelcode/code	Omschrijving	Description
1	1	BEC-11-...-..	Snijschijf arm	Cutter-disc arm
2	4	933825B	Bout M8x25	Bolt M8x25
3	4	125A8B	Sluitring M8	Washer M8
4	2	BEC-14-01-00	Hoofdpen	Main Pin
5	1	BEC-10-...-..	Hoofdframe	Main Frame
6	2	BEC-14-02-00	Steunpoot1	Jack Stand1
7	4	WB303430	Glijlager 30x34x30	Bearing 30x34x30
8	1	BEC-14-03-00	Steunpoot2	Jack Stand2
9	1	BEC-13-...-..	Spatlap samenstelling	Mud Guard
10	1	BEC-12-...-..	Borstelarm	Brush-arm
-	1	BEC-15-...-..	Hydraulica - Cilinders	Hydraulics - Cllinders
-	1	BEC-16-...-..	Hydraulica - Slangen	Hydraulics - Hoses
-	1	BEC-17-...-..	Hydraulica - Comp.	Hydraulics - Comp.

OBKS 90-45, hoofdframe/main frame

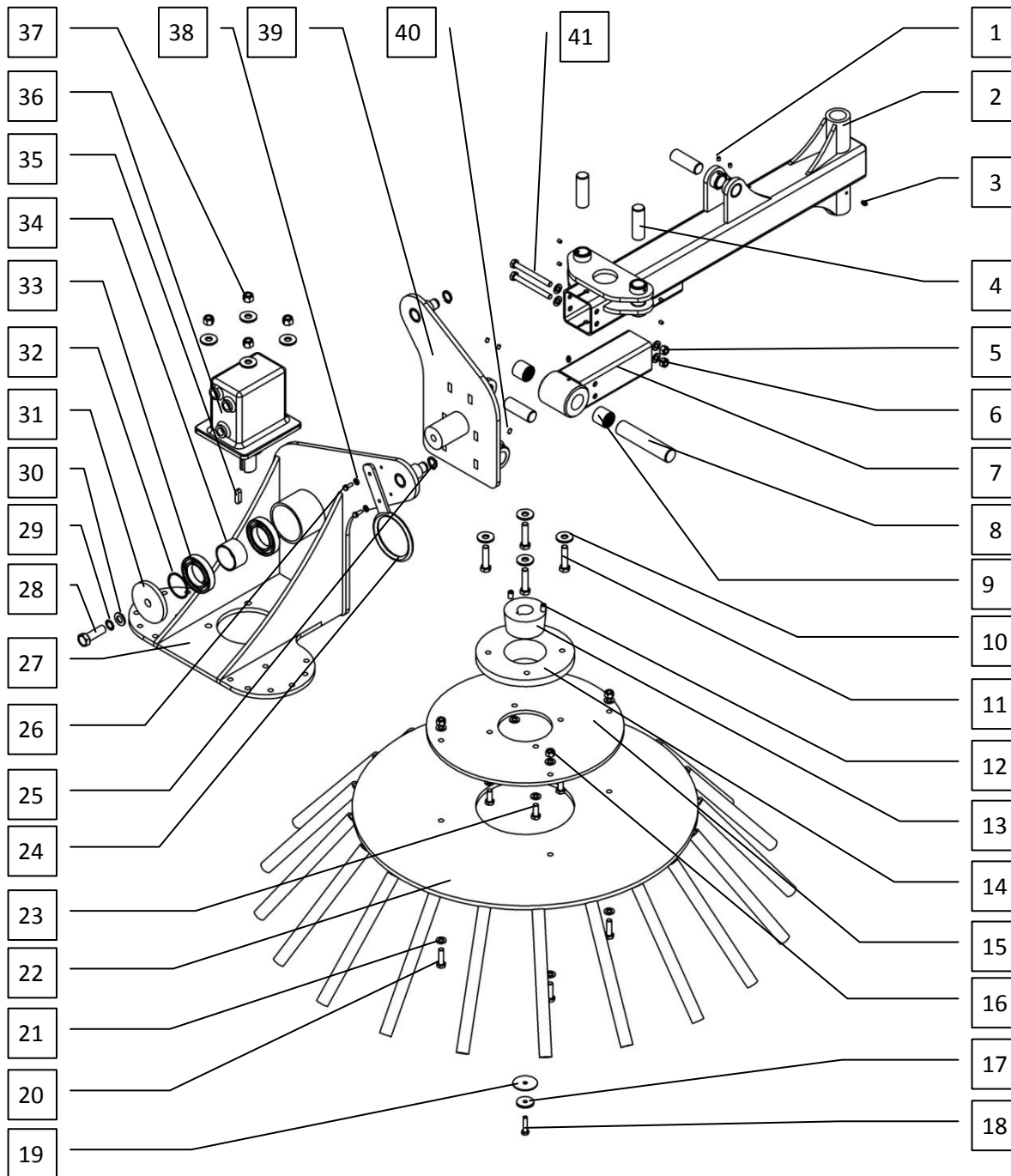


#	Aantal/ number	Artikelcode/code	Omschrijving	Description
1	1	BEC-10-01-00	KV-8/3-6 stuurventiel	KV-8/3-6 control valve
2	8	98512	Borgmoer M12	Locknut M12
3	16	125A12	Sluitring M12	Washer M12
4	1	BEC-10-02-00	Ophangbeugel Rechts	Mounting bracket right
5	1	BEC-10-03-00	Hoofdplaat	Main body
6	1	BEC-10-04-00	Ophangbeugel Links	Mounting bracket left
7	2	SLP1050	Borgpen 10mm	Pin 10mm
8	2	933825	Bout M8x25	Bolt M8x25
9	1	BEC-10-05-00	Accumulatorbev.	Accumulator plate
10	2	BEC-10-06-00	Accumulator	Accumulator
11	2	9858	Borgmoer M8	Locknut M8
12	4	125A8	Sluitring M8	Washer M8
13	2	BEC-10-07-00	Scharnierpen 25x155	Hinge pin 25x155
14	8	9331240	Bout M12x40	Bolt M12x40
15	2	705A25V	Stelring 25mm	Ring 25mm
16	2	933820	Bout M8x20	Bolt M8x20
17	2	125A8	Sluitring M8	Washer M8
18	6	91668B	Stelschroef M6x8	Set screw M6x8

OBKS 90-45, snijsch. arm/cutter arm



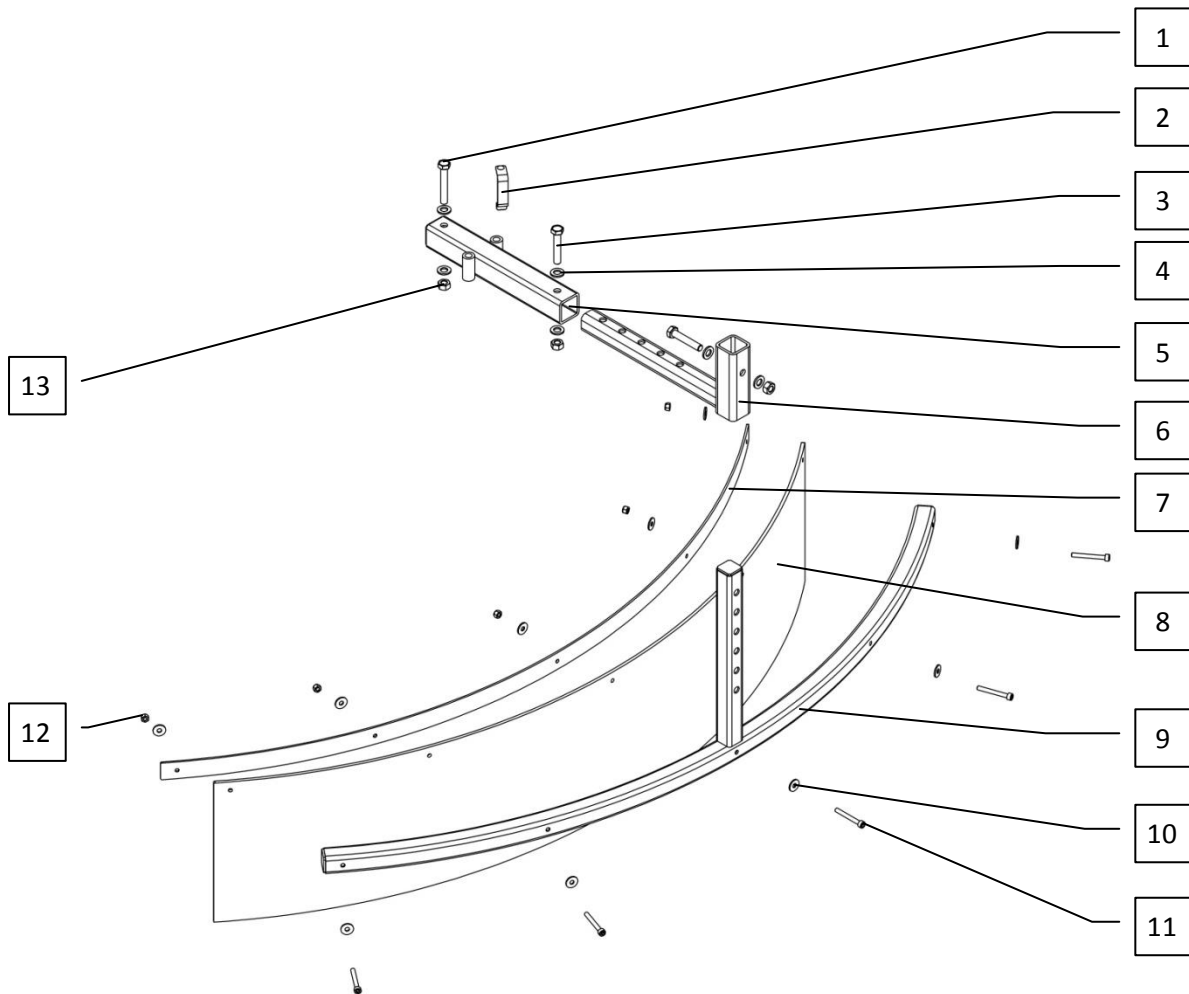
#	Aantal/ number	Artikelcode/code	Omschrijving	Description
1	1	BEC-11-01-00	Arm snijschijf 1	Arm cutting-disc 1
2	1	BEC-11-08-00	Manometer (hydrovasli)	Manometer
3	1	BEC-11-02-00	Beugel manometer	Bracket manometer
4	2	125A6	Sluitring M6	Washer M6
5	2	912610	Inbus M6x10	Socket screw M6x10
6	1	BEC-11-03-00	Scharnierpen 25x212	Hinge pin 25x212
7	1	BEC-11-04-00	Arm snijschijf 2	Arm cutting-disc 2
8	1	CD4502	Snijschijf/Kouterschijf	Cutting-disc
9	1	CD1400	Snijschijf naaf	Cutting-disc hub
10	1	93112130	Bout M12x130	Bolt M12x130
11	4	9021A12	Carrosseriering M12	Body Ring M12
12	1	BEC-11-05-00	Kouterschijf beugel	Cutting-disc bracket
13	2	WB353930	Glijlager 35x39x30	Bearing 35x39x30
14	3	GN61180RVS	Smeernippel M6	Grease nipple M6
15	4	705A35	Stelring 35mm	Ring 35mm
16	2	BEC-11-06-00	Scharnierpen 25x74	Hinge pin 25x74
17	2	WB303430	Glijlager 30x34x30	Bearing 30x34x30
18	1	BEC-11-07-00	Scharnierpen 30x143	Hinge pin 30x143
19	2	916610B	Stelschroef M6x10	Set screw M6x10
20	7	91668B	Stelschroef M6x8	Set screw M6x8



OBKS 90-45, borstelarm/brusharm

#	Aantal/ number	Artikelcode/code	Omschrijving	Description
1	8	91668B	Stelschroef M6x8	Set screw M6x8
2	1	BEC-12-01-00	Borstelarm1	Brusharm1
3	2	GN61180RVS	Smeernippel M6	Grease nipple M6
4	4	BEC-11-06-00	Scharnierpen 25x74	Hinge pin 25x74
5	2	98510	Borgmoer M10	Lock nut M10
6	4	125A10	Sluitring M10	Washer M10
7	1	BEC-12-02-00	Borstelarm2	Brusharm2
8	1	BEC-11-07-00	Scharnierpen 30x143	Hinge pin 30x143
9	2	WB353930	Lagerbus 35x39x30	Bearing 35x39x30
10	8	125A12	Sluitring M12(motor)	Washer M12 (motor)
11	4	9311250	Bout M12x50(motor)	Bolt M12x50(motor)
12	2	-	Taperlock inbus	Taperlock screw
13	1	251732TL	Taperlock bus	Taperlock hub
14	1	SE126TL	Taperlock-tand.(Bew)	Taperlock-gear(Mod.)
15	1	BEC-12-03-00	Tussenplaat borstel	Sandwichplate brush
16	4	98510	Borgmoer M10	Lock nut M10
17	1	127B8	Veerring M8	Spring washer M8
18	1	933835	Inbus M8x35	Socket screw M8x35
19	1	CR84015	Carr.ring M8	Washer M8
20	4	9331035	Bout M10x35	Bolt M10x35
21	12	125A10	Sluitring M10	Washer M10
22	1	BEC-12-04-00	Borstel	Brush
23	4	9331025	Bout M10x25	Bolt M10x25
24	1	BEC-12-05-00	Ring hydroslangen	Ring hydr. hoses
25	2	47120	Seegerring D20	Seegerring D20
26	2	125A6	Bout M6x16	Bolt M6x16
27	1	BEC-12-06-00	Motorplaat1	Motormounting1
28	1	9331650	Bout M16x50	Bolt M16x50
29	1	6798A16	Veertandring M16	Spring Tooth Ring M16
30	1	125A16	Sluitring M16	Washer M16
31	1	BEC-12-07-00	Opsluitplaat lagering	Bearing retainer plate
32	1	BEC-12-08-00	Opvulring	Spacer ring
33	2	60102RS	Lager	Bearing
34	1	BEC-12-09-00	Afstandsbus	Spacer
35	1	BEC-12-10-00	Inlegspie	Key
36	1	BEC-12-11-00	Motor	Motor
37	4	98512	Borgmoer M12	Lock nut M12
38	2	125A6	Sluitring M6	Washer M6
39	1	BEC-12-12-00	Motorplaat2	Motormounting2
40	2	916610B	Stelschroef M6x10	Set screw M6x10
41	2	93110100	Bout M10x100	Bolt M10x100

OBKS 90-45, spatlap/mud guard



#	Aantal/ number	Artikelcode/code	Omschrijving	Description
1	1	9311065	Bout M10x65	Bolt M10x65
2	1	LP1055	Borgpen 10mm	Pin 10mm
3	2	9311055	Bout M10x55	Bolt M10x55
4	6	125A10	Sluitring M10	Washer M10
5	1	BEC-13-01-00	Koker1	Tube1
6	1	BEC-13-02-00	Koker2	Tube2
7	1	BEC-13-03-00	Strip	Strip
8	1	BEC-13-04-00	Spatlap	Mudguard
9	1	BEC-13-05-00	Koker3	Tube3
10	10	125A6	Sluitring M6	Washer M6
11	5	912650	Bout M6x50	Bolt M6x50
12	5	9856	Borgmoer M6	Lock nut M6
13	3	98510	Borgmoer M10	Lock nut M10



OBKS 90-45 hydraulica/hydraulics,
cilinders/cylinders

Aantal/ Number	Artikelcode/Code	Nr Hydro- Vasli	Afmetingen/ Dimensions	HOH/CTC	Bodem/Bottom	Stang/Rod	Lassok/ Weld-socket	
2	BEC-15-01-00	1	50x30x300	520	Gelenklager ø 25mm	Gelenklager ø 25mm	2x 3/8	
1	BEC-15-02-00	2	50x30x170	425	Gelenklager ø 25mm	Gelenklager ø 25mm	4x 3/8	
1	BEC-15-03-00	3	50x30x200	440	Gelenklager ø 25mm	Gelenklager ø 25mm	2x 3/8	
1	BEC-15-04-00	4	32x20x150	370	Gelenklager ø 25mm	Gelenklager ø 25mm	2x 1/4	
1	BEC-15-05-00	5	32x20x140	320	Gelenklager ø 20mm	Gelenklager ø 20mm	2x 1/4	

OBKS 90-45 hydraulica/hydraulics, slangen/hoses

Aantal/ Number	Artikelcode/ Code	Hydro vasli nr	Slang Type/ Hose Type	Lengte/ Length	Koppeling/ Coupling	Koppeling/ Coupling	Stand/ Position	Opmerking	Description
2	BEC-16-01-00	1+2	462-04	1650	C04-B90-04	C06-BM-04		Top kantelcilinder - snelkoppeling	Top tilt cylinder - quick coupling
1	BEC-16-02-00	3	462-04	900	C04-B90-04	C04-B90-04	90°	Kantelcilinder voor/achter - ventiel	Tilt Cylinder front / rear - valve
1	BEC-16-03-00	4	462-04	800	C04-B90-04	C04-B90-04	90°	Kantelcilinder voor/achter - ventiel	Tilt Cylinder front / rear - valve
2	BEC-16-04-00	5+6	462-06	670	C06-BAB-06	C06-BAB-06		Verbinding van cilinder - cilinder	Connection cylinder - cylinder
2	BEC-16-05-00	7+8	462-06	1440	C06-BAB-06	C06-BM-06		Cilinder hoofdarm - snelkoppeling	Cylinder main arm – quick coupling
2	BEC-16-06-00	9+10	462-06	840	C06-BF-06	C06-B90-06	90°	Cilinder snijmes boven	Cylinder Cutter top
2	BEC-16-07-00	11+12	462-06	740	C06-BF-06	C06-B90-06		Cilinder snijmes onder	Cylinder Cutter under
1	BEC-16-08-00	13	462-04	1190	C06-BF-04	C18D90-12L-04		Manometer	manometer
1	BEC-16-09-00	14	462-06	530	C06-BF-06	C18-DF-12L-06		Accumulator	accumulator
1	BEC-16-10-00	15	462-06	720	C08-B45-06	C18-DF-12L-06		Accumulator	accumulator
2	BEC-16-11-00	16+17	462-06	700	C06-B45-06	C06-BM-06		Voeding klep	Power supply
2	BEC-16-12-00	18+19	462-08	2580	C08-B90-08	C12-BM-08		PTO	PTO
1	BEC-16-13-00	20	462-06	2650	C04-B90-04	C-6-BM-04		Lekleiding PTO	Leak connection PTO

OBKS 90-45 hydraulica/hydraulics,
koppelingen/couplings

Aantal/Numer	Artikelcode/code	Artikelcode/Code	Omschrijving	Description
2	BEC-17-01-00	VBPDE-3/8-L-2CEXC	Dubbel gestuurde terugslagklep 3/8-30ltr	Double check-valve 3/8-30ltr
2	BEC-17-02-00	SCHOT-1/2"	Schotdoorvoerkopp. 1/2"x1/2"	Bulkhead coupling 1/2"x1/2"
6	BEC-17-03-00	F15-06BM	Banjobout 3/8"	Banjo bolt 3/8"
2	BEC-17-04-00	F16-06BM	Banjobout dubbel 3/8"	Banjo bolt double 3/8"
4	BEC-17-05-00	BJL12-3/8"-300	Banjoleiding 12-3/8"-300mm	Banjo Pipe 12-3/8"-300mm
5	BEC-17-06-00	1071-1/4	Usit afdichting	Usit seal
25	BEC-17-07-00	1071-3/8	Usit afdichting	Usit seal
12	BEC-17-08-00	1071-1/2	Usit afdichting	Usit seal
2	BEC-17-09-00	1071-3/4	Usit afdichting	Usit seal
6	BEC-17-10-00	A06BM-08BM	Adaptor	Adapter
2	BEC-17-11-00	A04BM-08BM	Adaptor	Adapter
1	BEC-17-12-00	A04BM-04BM	Adaptor	Adapter
4	BEC-17-13-00	A06BM-06BM	Adaptor	Adapter
2	BEC-17-14-00	A08BM-08BM	Adaptor	Adapter
4	BEC-17-15-00	F28-04BM-04BM	Adaptor 1/4x1/4 blind	Adapter 1/4x1/4 blind
1	BEC-17-16-00	V04B-06B	Adaptor 1/4i-3/8-bi/bi	Adapter 1/4i-3/8-bi/bi
1	BEC-17-17-00	SCHOT-3/8"	Schotdoorvoerkopp. 3/8"x3/8"	Bulkhead coupling 3/8"x3/8"
2	BEC-17-18-00	SVWE-12LR-3/8	Snijring- / Banjokoppeling BSPP	Cutting Ring- / Banjo Coupling BSPP
1	BEC-17-19-00	EVL-12L	Snijringkoppeling instelbaar	Cuttin ring coupling adjustable
1	BEC-17-20-00	CVV 16 34GAS F	Schroefsnelkoppeling ¾ Female	Quick screw coupling ¾ Female
1	BEC-17-21-00	CVV 16 34GAS M	Schroefsnelkoppeling ¾ Male	Quick screw coupling ¾ Male
3	BEC-17-22-00	2FFN-12GAS-F	Snelkopeling vlakdichtend / lekvrij Female	Quick coupling flat sealing / leakfree Female
4	BEC-17-23-00	2FFN-12GAS-M	Snelkopeling vlakdichtend / lekvrij Male	Quick coupling flat sealing / leakfree Male