

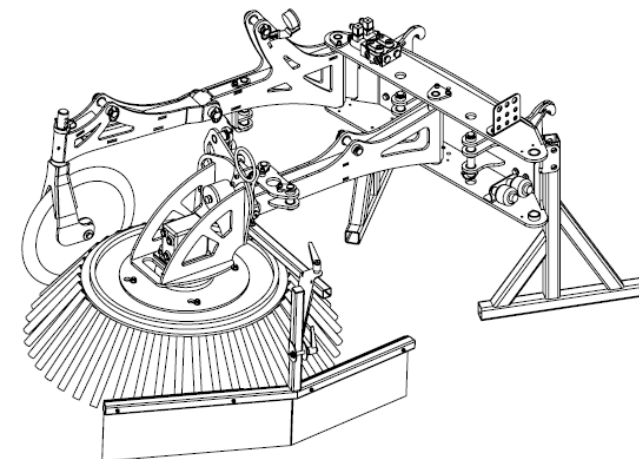
## Onderdelenlijst / Partslist;

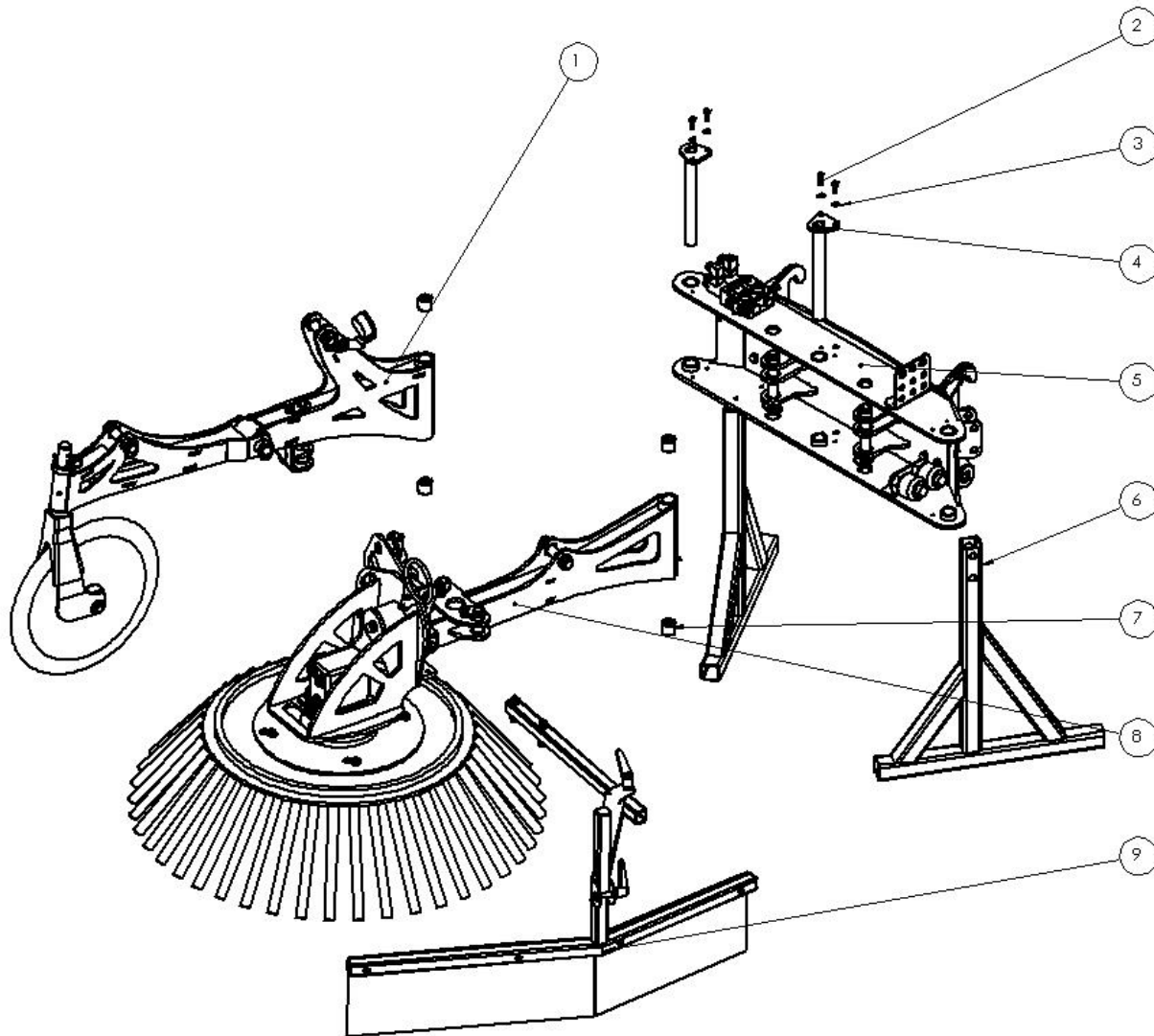
### Becx Onkruidborstel Kantensnijder OBKS90-45

Versie; 18-01-2017

		blz./page
Overzicht compleet	Complete overview	2
Hoofdframe	Main frame	3
Snijarm	Cutter-arm	4
Borstelarm	Brush-arm	5
Spatlap	Mudguard	6
Hydraulische cilinders	Hydraulic cylinders	7
Hydraulische koppelingen	Hydraulic couplings	8-10
Hydraulische slangen	Hydraulic hoses	11-15

Becx Machines B.V.  
De Sonman 35  
5066 GJ Moergestel  
+31 (0)13-207 0760  
[info@becxmachines.com](mailto:info@becxmachines.com)  
<http://www.becxmachines.com>

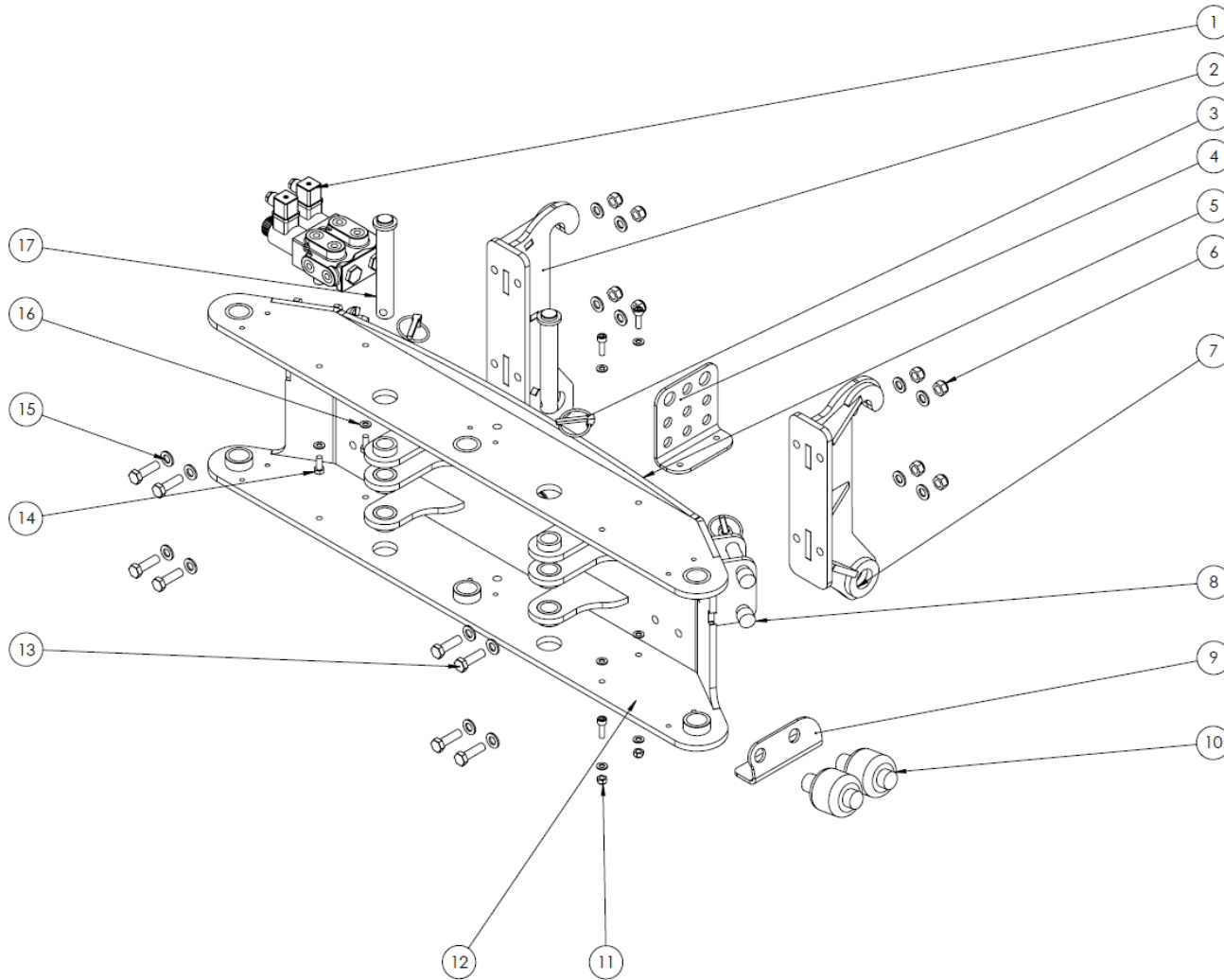




## OBKS90-45, compleet/complete

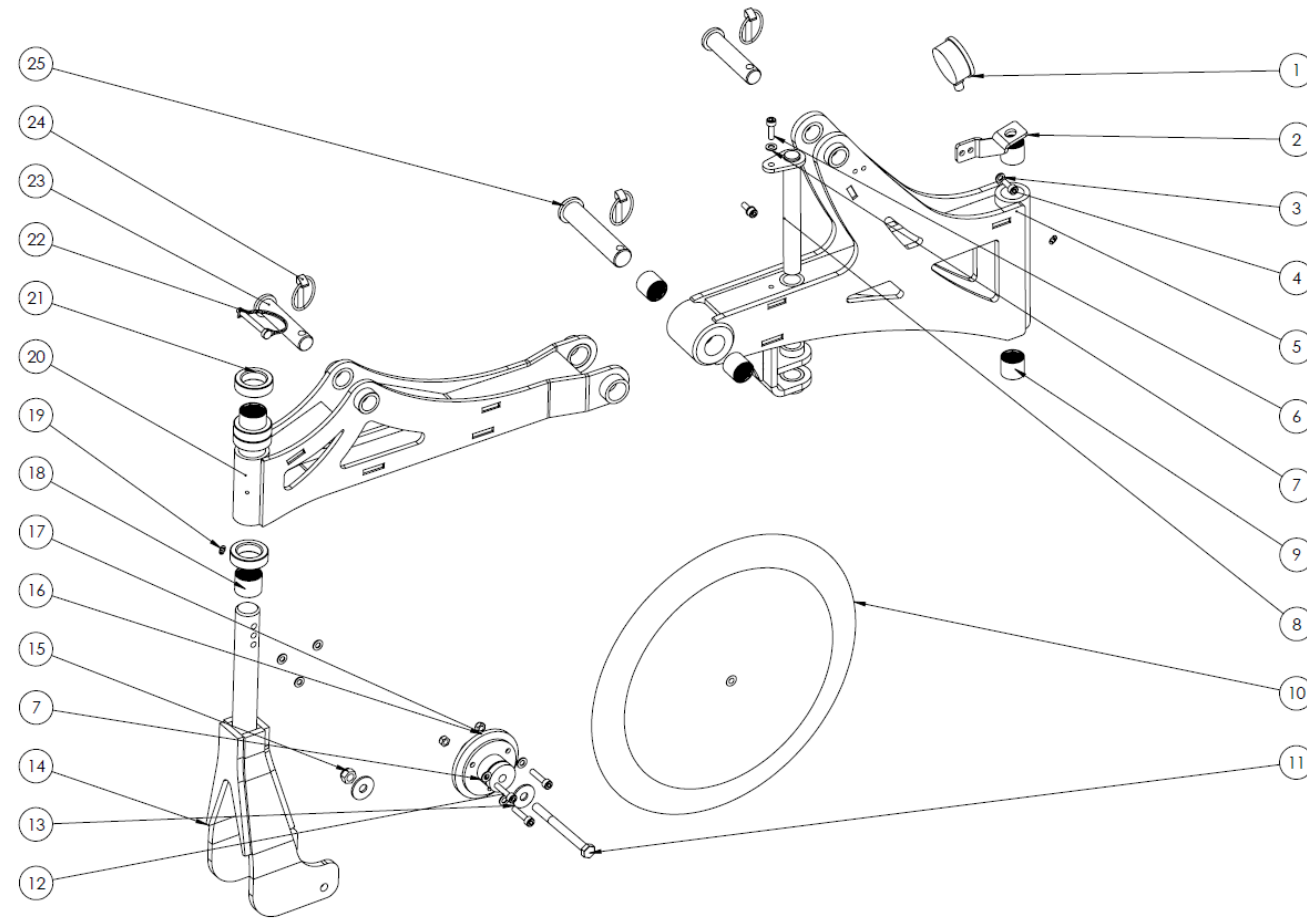
#	Aantal/ number	Artikelcode/code	Omschrijving	DESCRIPTION
1	1	BEC240900	Messchijf arm1	cutting-disc arm 1
2	8	912825	Inbusbout M8x25	Hex sock bolt M8x25
3	15	125A8	Sluiring M8	Flat washer M8
4	2	BEC240300	Pen hoofdplaat	Mainplate pin
5	1	BEC240200	Hoofdplaat	Main plate
6	2 4 4	BEC403900 Z319102KR LP11KR	Steunpoot	Jack stand
7	8	WB303430	Glijlagerbus	Plain bearing bush
8	1	BEC240500	Hoofdarm	Main arm
9	1	BEC240800	Spatlapsamenstelling	Mud guard

# OBKS90-45, hoofdframe/main frame



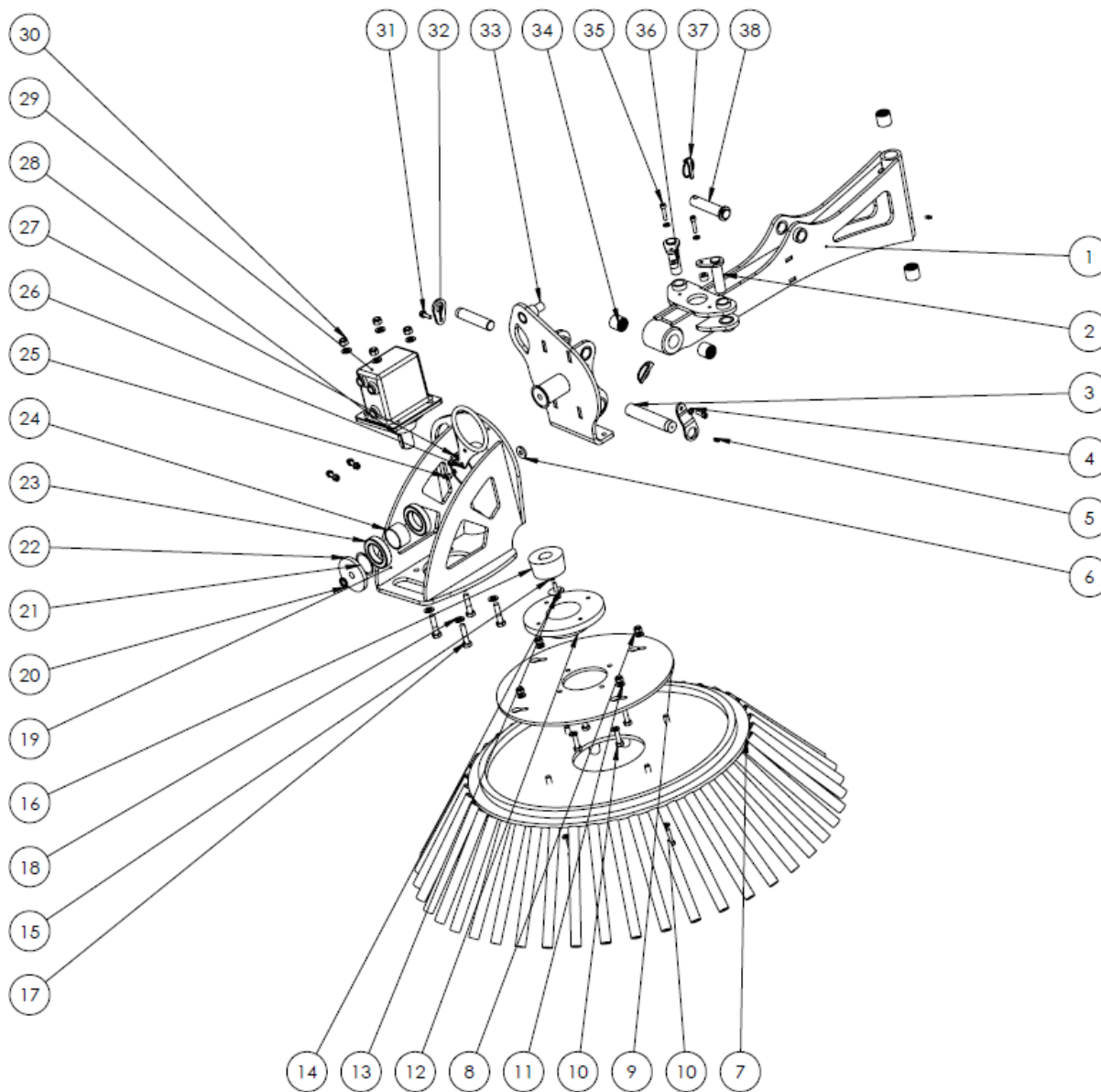
#	Aantal/ number	Artikelcode/code	Omschrijving	Description
1	1	BEC100000	Stuurventiel	Control valve
2	1	BEC242100	Ophangbeugel recht	Mounting bracket right
3	6	LP11KR	Borgpen	Linch pin
4	1	BEC243100	Schotdoorvoer	Hose connection plate
5	1	BEC240200	Hoofdplaat	Main body
6	8	98512	Borgmoer M12	Lock nut M12
7	1	BEC242000	Ophangbeugel links	Mounting bracket left
8	4	Z319102KR	Topstangpen	Linkage pin
9	1	BEC242500	Accumulatorbev.	Accumulator plate
10	2	BEC100600	Accumulator	Accumulator
11	4	9858	Borgmoer M8	Lock nut M8
12	4	912830	Inbus M8x30	Inbus M8x30
13	8	9331240	Tapbout M12x40	Hex screw M12x40
14	2	933820	Tapbout M8x20	Hex screw M8x20
15	16	125A12	Sluitring M12	Flat washer M12
16	10	125A8	Sluitring M8	Flat washer M8
17	2	BEC241600	Scharnierpen	Hinge pin

## OBKS90-45, Snij arm/Cutting-arm



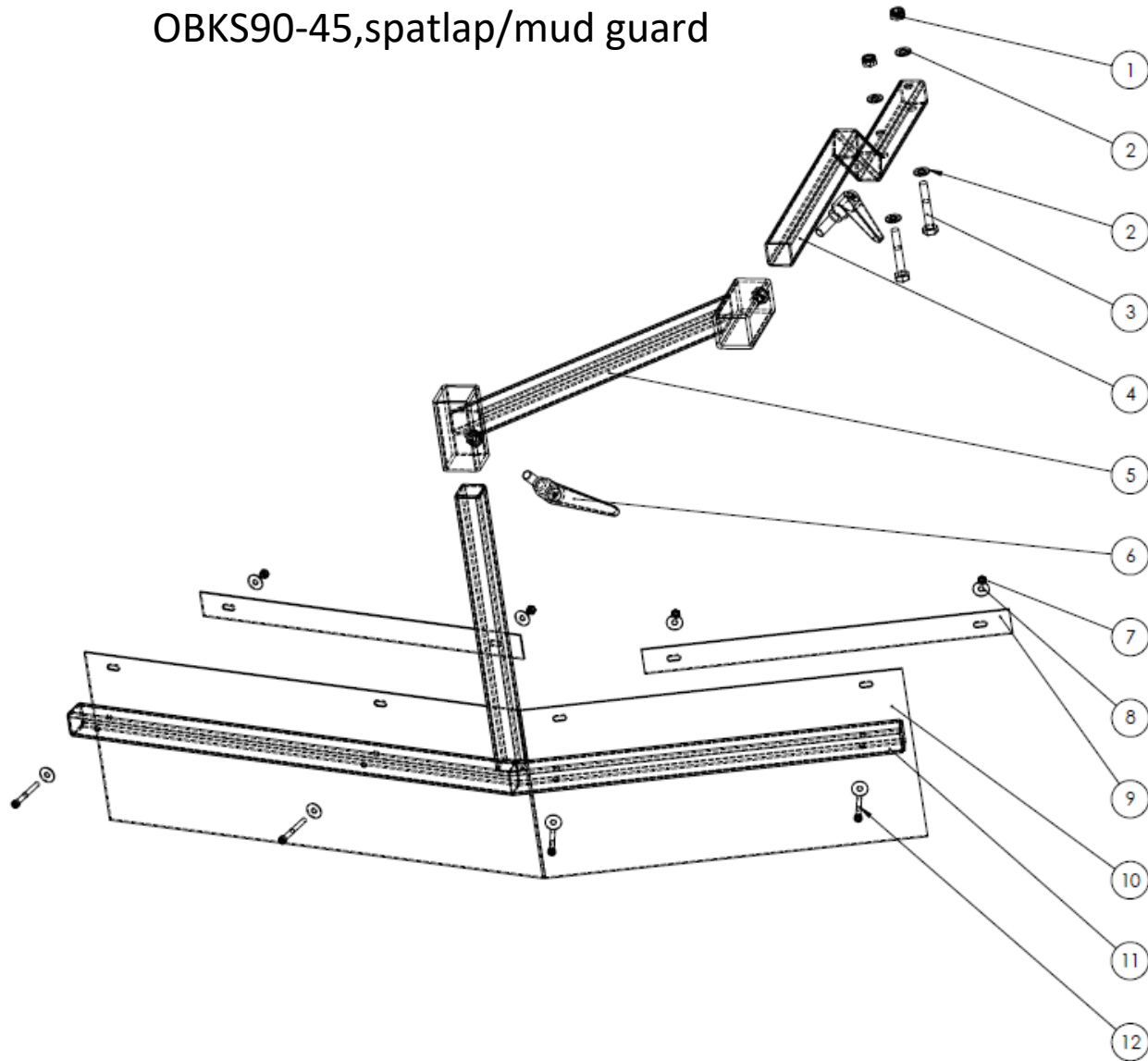
#	Aantal/ number	Artikelcode/code	Omschrijving	Description
1	1	BEC110800	Manometer (MAR63-250)	Manometer (MAR63-250)
2	1	BEC242600	Beugel manometer	Bracket manometer
3	2	127B8	Veerring M98	Spring washer M8
4	2	912820	Inbusbout M8x20	Bolt M8x20
5	1	BEC240900	Messchijf arm1	Arm cutting-disc1
6	1	912830	Inbusbout M8x30	Bolt M8x30
7	6	125A8	Sluitring M8	Flat washer M8
8	1	BEC241200	Pen mes arm	Pin cutting arm
9	4	WB303430	Glijlagerbus	Plain bearing bush
10	1	CD4502	Kouterschijf	Cutting-disc
11	2	9021A12	Carrosseriering M12	Washer M12
12	3	912835	Inbusbout M8x35	Bolt M8x35
13	1	93312130	Tapbout M12x130	Hex screw M12x130
14	1	BEC241100	Beugel messchijf	Cutting-disc bracket
15	1	98512	Borgmoer M12	Lock nut M12
16	1	CD1400	Snijschijf naaf	Cutting-disc hub
17	3	9858	Borgmoer M8	Locking nut M8
18	2	WB353930	Glijlagerbus	Plain bearing bush
19	3	BEC040600	Smeernippel M6	Smeernippel M6
20	1	BEC241000	Messchijf arm2	Arm cutting-disc2
21	3	BEC242800	Opsluitring	Retaining ring
22	1	LP868KR	Borgpen	Wire lock pin 8 x 68mm
23	2	BEC241300	schanierpen1	Hinge pln 2
24	3	LP11KR	Borgpen	Linch pin 11 mm
25	1	BEC241400	schanierpen2	Hinge pln 2

# OBKS90-45, Borstelarm/Brush-arm



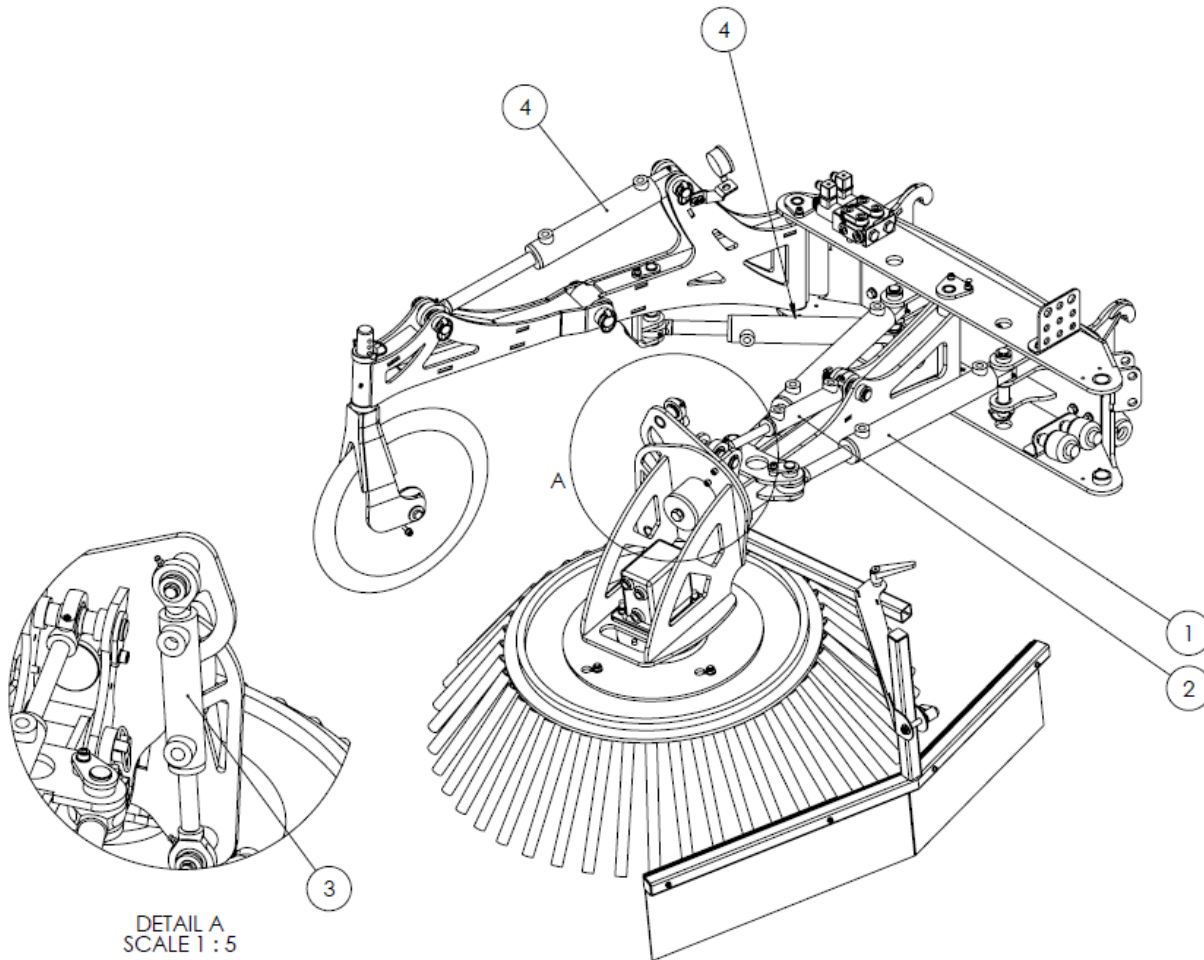
#	Aantal/ number	Artikelcode/code	Omschrijving	DESCRIPTION
1	1	BEC240500	Hoofdarm	Main arm
2	2	BEC241700	Pen cilinder	Cylinder pin
3	1	BEC241800	Schanierpen kop	Hinge pen
4	4	125A8	Sluitring M8	Flat washer M8
5	2	BEC040600	Smeernippel	Grease nipple
6	2	BEC403800	Opsluitplaat	Retaining Plate
7	1	BEC120500	Borstel	Brush
8	4	98510	Borgmoer M10	Lock nut M10
9	1	BEC242700	Montageschijf borstel	Mounting plate brush
10	4	9331035	Tapbout M10x35	Hex screw M10x35
11	12	125A10	Sluitring M10	Flat washer M10
12	1	SE126TL	Ketting wiel Taperlock	Sprocket taperlock
13	1	933825	Tapbout M8x25	Hex screw M8x25
14	1	CR84015	Carrosseriering	Coach bolt washer
15	1	127B8	Veerring M8	Spring washer M8
16	1	251732TLKR	Klembus taperlock	Taperlock bush
17	4	9311250	Bout M12x50	Bolt M12x50
18	8	125A12	Sluitring M12	Flat washer M12
19	1	BEC240700	Motorplaat1	Motormounting1
20	1	9331650	Bout M16x50	Bolt M16x50
20	1	NL16P005	Borgring Nordlock 5p M16	Lockring Nordlock 5p M16
21	3	BEC242300	Afstandsring lagerhuis	Spacer
22	1	BEC242200	Deksel lagerhuis	Bearing cover
23	2	60102RS	Groefkogellager	Ball bearing
24	1	BEC242400	Tussenbus lagerhuis	bearing housing
25	2	912816	Inbusbout M8x16	Hex sock bolt M8x16
26	1	BEC120400	Ring hydroslagen	Ring hydrohose
27	2	127B8	Veerring M8	Spring washer M8
28	1	BEC121000	Inlegspie OBKS	Parallel key OBKS
29	1	BEC121100	Motor ((EP)MS W200-C)	Motor ((EP)MS W200-C)
30	4	98512	Borgmoer M12	Lock nut M12
31	2	912825	Inbusbout M8x25	Hex sock bolt M8x25
32	1	BEC241900	Pen cilinder kop	Cylinder pin head
33	1	BEC240600	Motormontagekantel	Engine Mounting tilt
	2	825VT	Tensilock bout M8 x 25	Tensilock bolt M8 x 25
34	4	WB303430	Glijlagerbus	Plain bearing bush
35	2	912835	Inbusbout M8x35	Hex sock bolt M8x35
36	2	BEC406900	Vulbus M8x 12	Spacer M8x 12
37	2	LP11KR	Borgpen	Linch pin
38	1	BEC241300	Pen cilinder hoofdarm	Cylinder pin arm

# OBKS90-45, spatlap/mud guard



#	Aantal/ number	Artikelcode/code	Omschrijving	Description
1	2	98510	Borgmoer M10	Lock nut M10
2	4	125A10	Sluitring M10	Washer M10
3	2	9311065	Zeskantbout M10x65	Hex sock Bolt M10x65
4	1	BEC243300	Koker1	Tube1
5	1	BEC243200	Koker2	Tube2
6	2	KS466424	Klemgreepschroef M12x50	Adjuster handle M12x50
7	4	9856	Borgmoer M6	Lock nut M6
8	8	9021A6	Carrosseriering M6	Washer M6
9	2	BEC243000	Strip	Strip
10	1	BEC240100	Spatlap	Mudguard
11	1	BEC240800	Koker3	Tube3
12	4	912660	Inbusbout M6x60	Hex sock Bolt M6x60

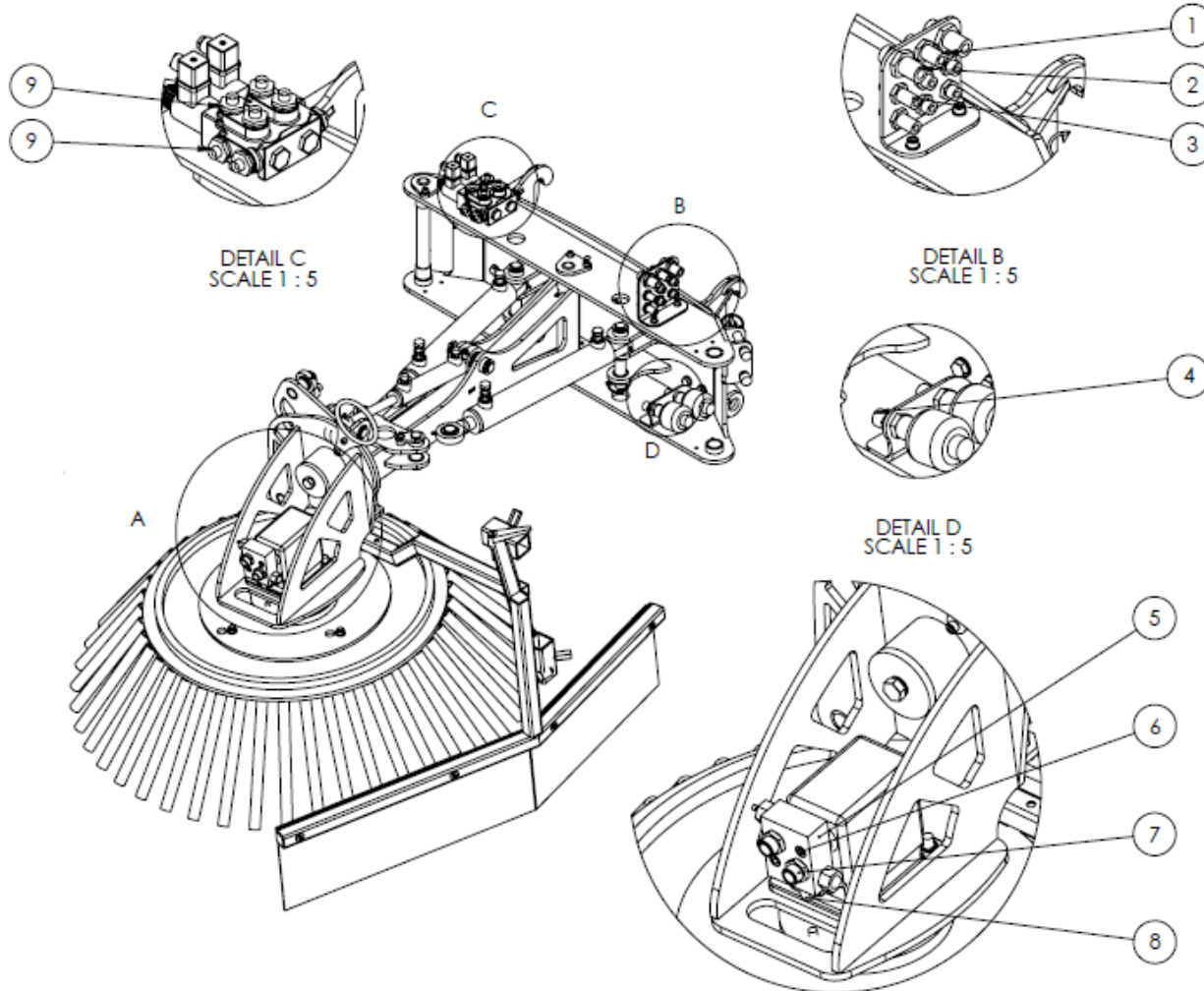
OBKS90-45 hydraulica/hydraulics,  
cilinders/cylinders



#	Aantal/ Number	Artikelcode/Code	Omschrijving/ Description	Afmetingen/ Dimensions	HOH/CTC	Bodem/Bottom	Lassok/ Weld-socket	
1	1 1	BEC415300 (links/left) BEC415500 (rechts/right) (smeernippels naar buiten/ greasing points facing outside)	Zwenkcilinder borstelarm/ Swivel Cilinder brush arm	50x30x300	530	Gelenklager ø 25mm	2x 3/8	
2	1	BEC415100	Kantelcilinder borstelkop / Cilinder to turn over the head	32x20x150	345	Gelenklager ø 25mm	2x 1/4	
3	1	BEC415400	Draaicilinder kop / Cilinder to rotate the head	32x20x100	281	Gelenklager ø 20mm	2x 1/4	
4	2	BEC415200	Cilinder kantensnijmes / Cilinder trimming blade	50x30x200	430	Gelenklager ø 25mm	2x 3/8	

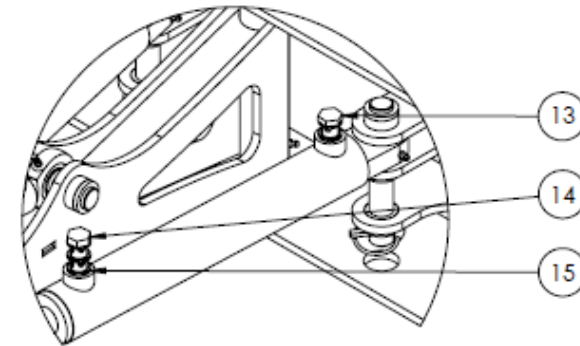
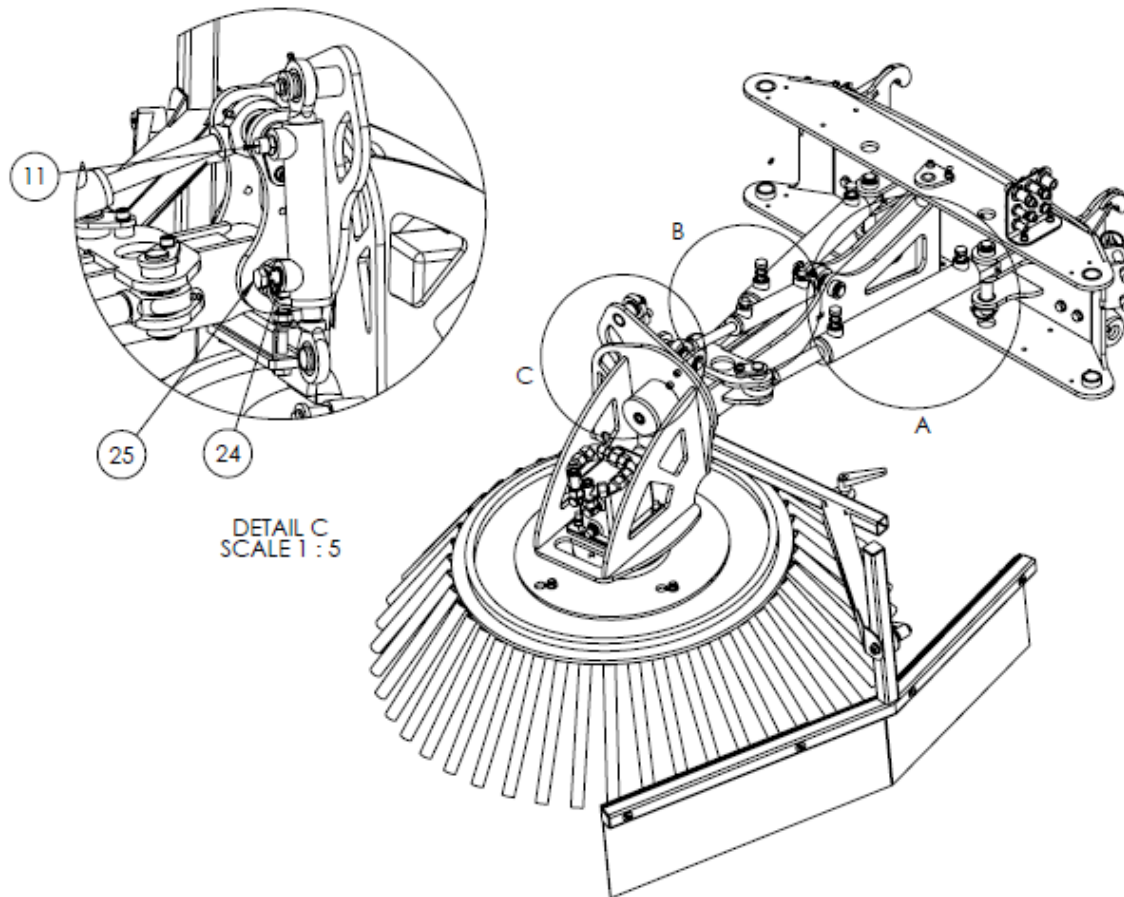
7 Onderdelenlijst OBKS90-45: 10-01-2017

## OBKS90-45 hydraulica/hydraulics, koppelingen/couplings

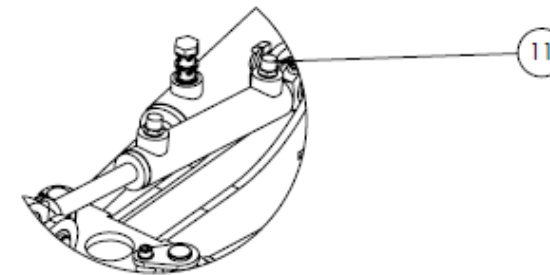


#	Aantal/ number	Artikelcode/code	Omschrijving	Description
1	1	BEC408700	Snijringkopp. Rechte schotkoppeling	Cutting ring coupling straight bulkhead
2	2	BEC408800	Snijringkopp. Rechte schotkoppeling	Cutting ring coupling straight bulkhead
3	6	BEC408600	Snijringkopp. Rechte schotkoppeling	Cutting ring coupling straight bulkhead
4	2	BEC170200	Schotdoorvoerkopp. 1/2"X 1/2"	Bulkhead coupling 1/2"X 1/2"
5	1	BEC220600	Crossover ventiel	Crossover valve
6	2	9121035	Inbus M10 x 35	Socket head M10 x 35
7	2	BEC012200	GE-15LRDE-1-2-BO	GE-15LRDE-1-2-BO
8	4	BEC404800	Snijringkopp. Rechte inschroef BSPP	Cutting ring coupling straight screw-in BSPP
9	4	BEC173900	Snijringkopp. Rechte inschroef	Cutting ring coupling straight screw-in BSPP

OBKS90-45 hydraulica/hydraulics,  
koppelingen/couplings



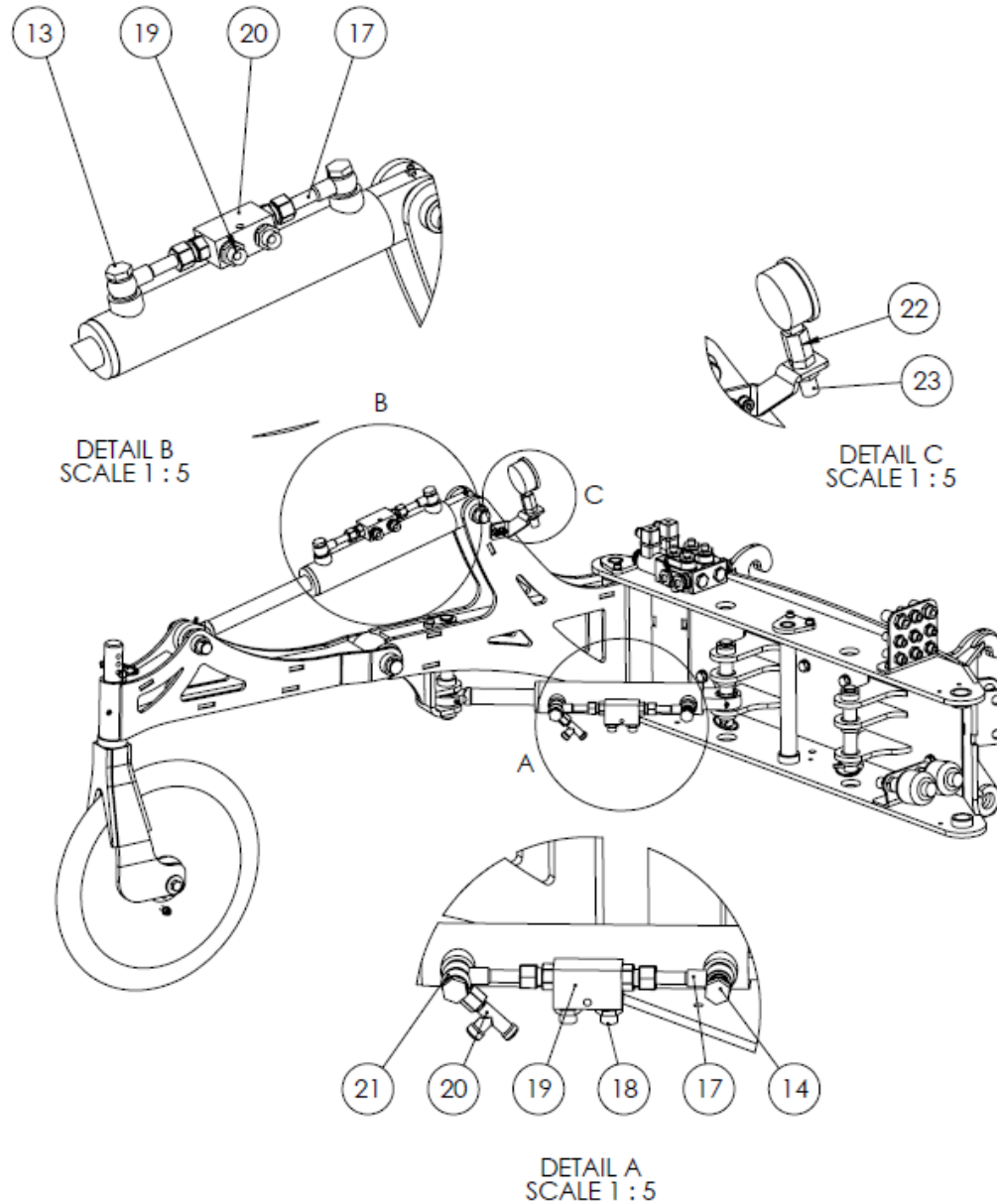
DETAIL A  
SCALE 1 : 5



DETAIL B  
SCALE 1 : 5

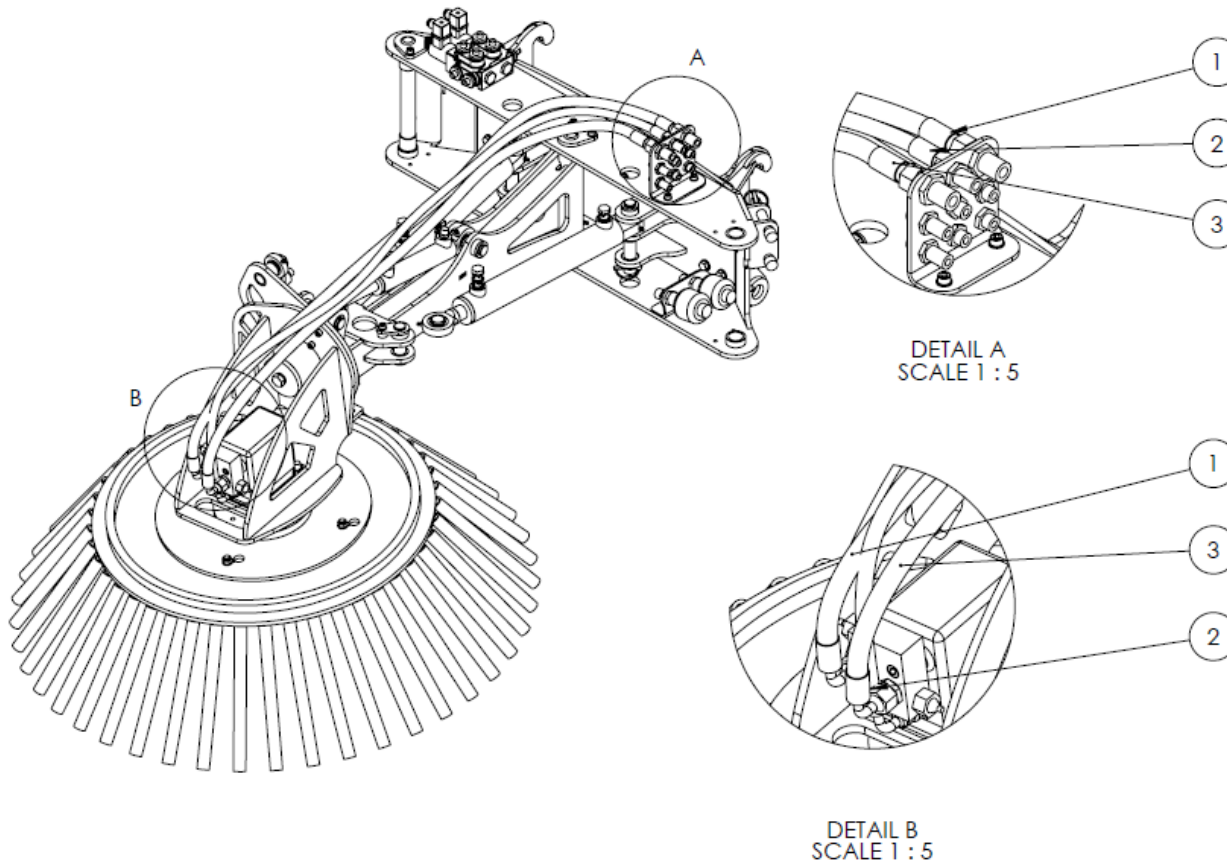
#	Aantal/ number	Artikelcode/code	Omschrijving	Description
13	4	BEC404700	Banjobout enkel 3/8"	Banjobolt single 3/8"
14	4	BEC170400	Banjobout Dubbel 3/8"	Banjoblot double 3/8"
15	21	BEC170700	Usit afdichtring	Usit seal
11	4	BEC404800	Snijringkopp. Rechte inschroef BSPP	Cutting ring coupling straight screw-in BSPP
24	2	BEC170600	Usit afdichtring	Usit seal
25	1	BEC012900	Banjobout enkel 1/4"	Banjobolt single 1/4"

## OBKS90-45 hydraulica/hydraulics, koppelingen/couplings



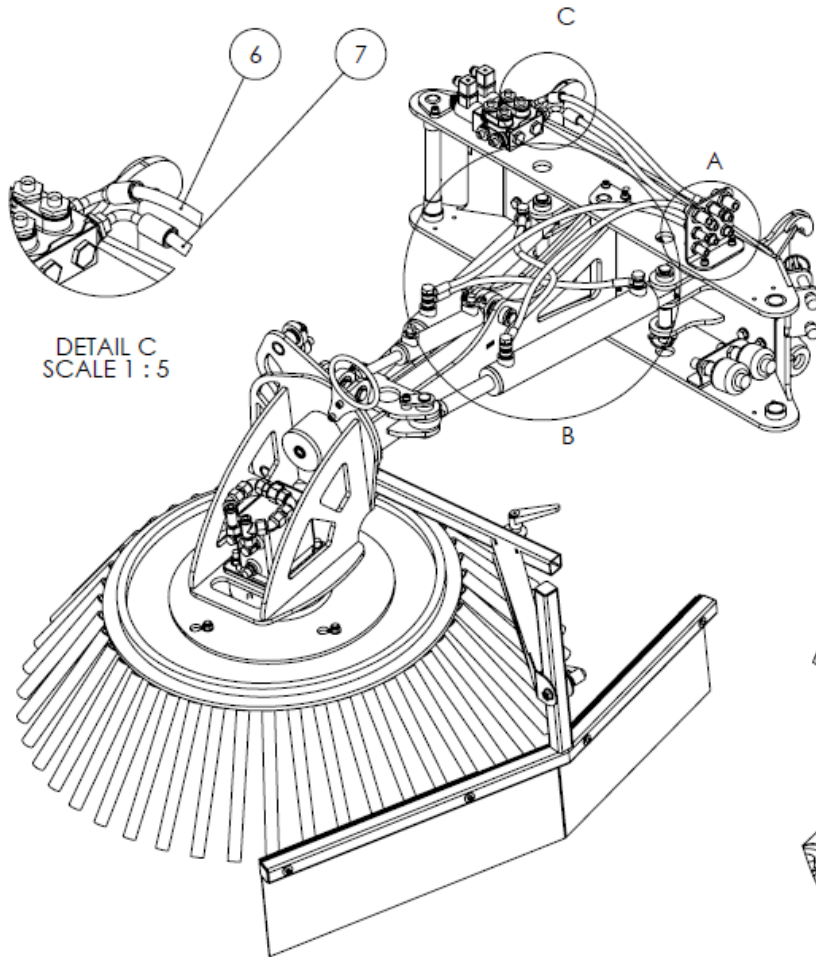
#	Aantal/ number	Artikelcode/code	Omschrijving	Description
17	4	BEC408400	Banjoleiding 12/3/8-500MM	Banjo pipe 12-3/8-500MM
18	4	BEC173900	Snijringkopp. Rechte inschroef	Cutting ring coupling straight screw-in BSPP
19	2	BEC170100	Dubb.Gest. Terugslagklep 3/8 30LTR	Double check-valve 3/8-30LTR
20	1	BEC174100	Snijringkopp. Instelbare T Bodyonly	Cutting ring coupling adjustable T bodyonly
	1	BEC408900	Adaptor 3/8-10L-BI/BU	Adaptor 3/8-10L-BI/BU
21	1	BEC408300	Banjooog 3/8"x 3/8" BTDR	Banjooog 3/8" X 3/8" BTDR
22	1	BEC171600	Adaptor 1/4I-3/8-BI/BI	Adaptor 1/4I-3/8-BI/BI
23	1	BEC171700	Schotdoorvoerkopp. 3/8"X3/8"	Bulkhead coupling 3/8"X3/8"
24	1	BEC408900	GAI-10LR-3/8-BO	GAI-10LR-3/8-BO

## OBKS90-45 hydraulica/hydraulics, slangen/hoses

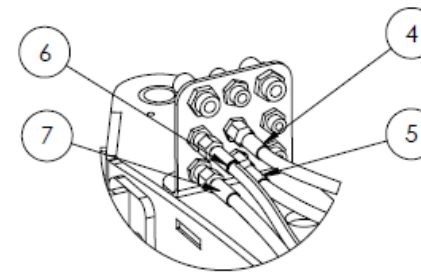


#	Aantal/ Number	Artikelcode/ Code	Omschrijving	Discription
1	1	BEC250100	Slang OBKS90-45 PTO 1	Hose OBKS90-45 PTO 1
2	1	BEC250300	Slang OBKS90-45 PTO 2	Hose OBKS90-45 PTO 2
3	1	BEC250200	Slang OBKS90-45 PTO 3	Hose OBKS90-45 PTO 3

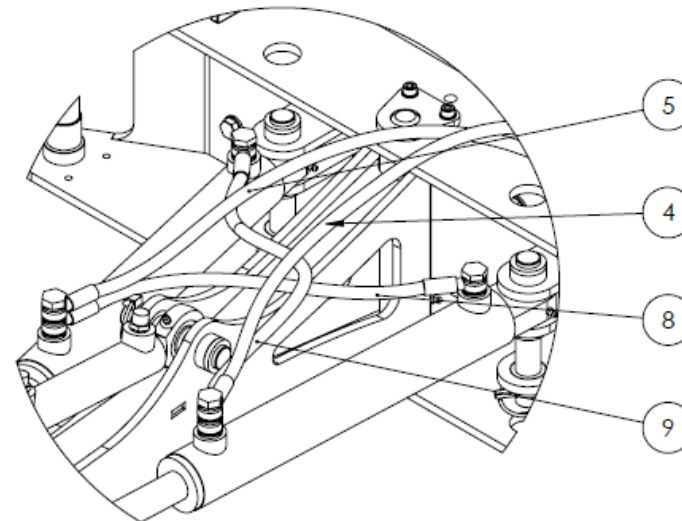
## OBKS90-45 hydraulica/hydraulics, slangen/hoses



DETAIL C  
SCALE 1 : 5



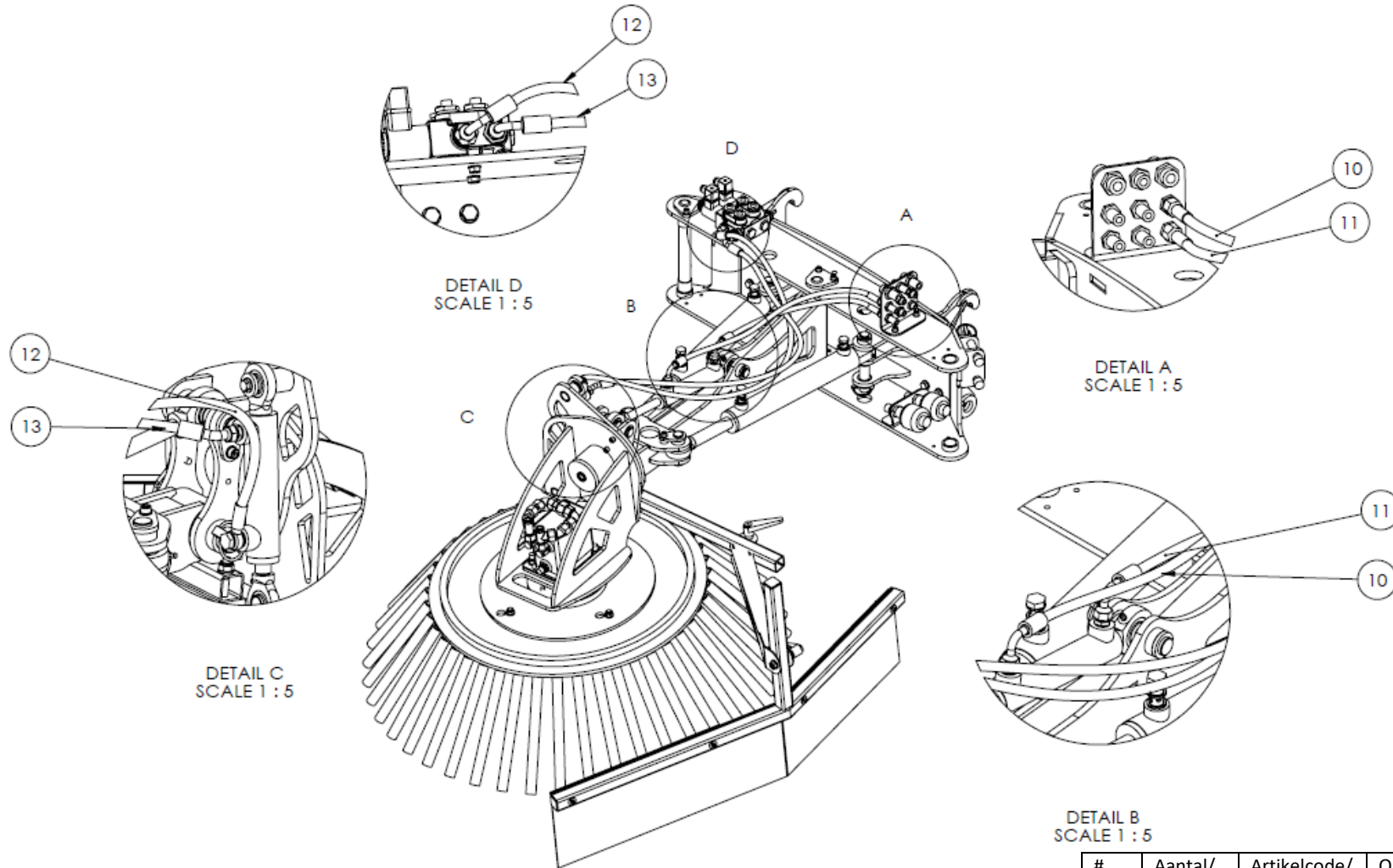
DETAIL A  
SCALE 1 : 5



DETAIL B  
SCALE 1 : 5

#	Aantal/ Number	Artikelcode/ Code	Omschrijving	Discription
4	1	BEC250600	Slang OBKS90-45 6	Hose OBKS90-45 6
5	1	BEC250700	Slang OBKS90-45 7	Hose OBKS90-45 7
6	1	BEC250500	Slang OBKS90-45 5	Hose OBKS90-45 5
7	1	BEC250400	Slang OBKS90-45 4	Hose OBKS90-45 4
8	2	BEC251000	Slang OBKS90-45 10	Hose OBKS90-45 10

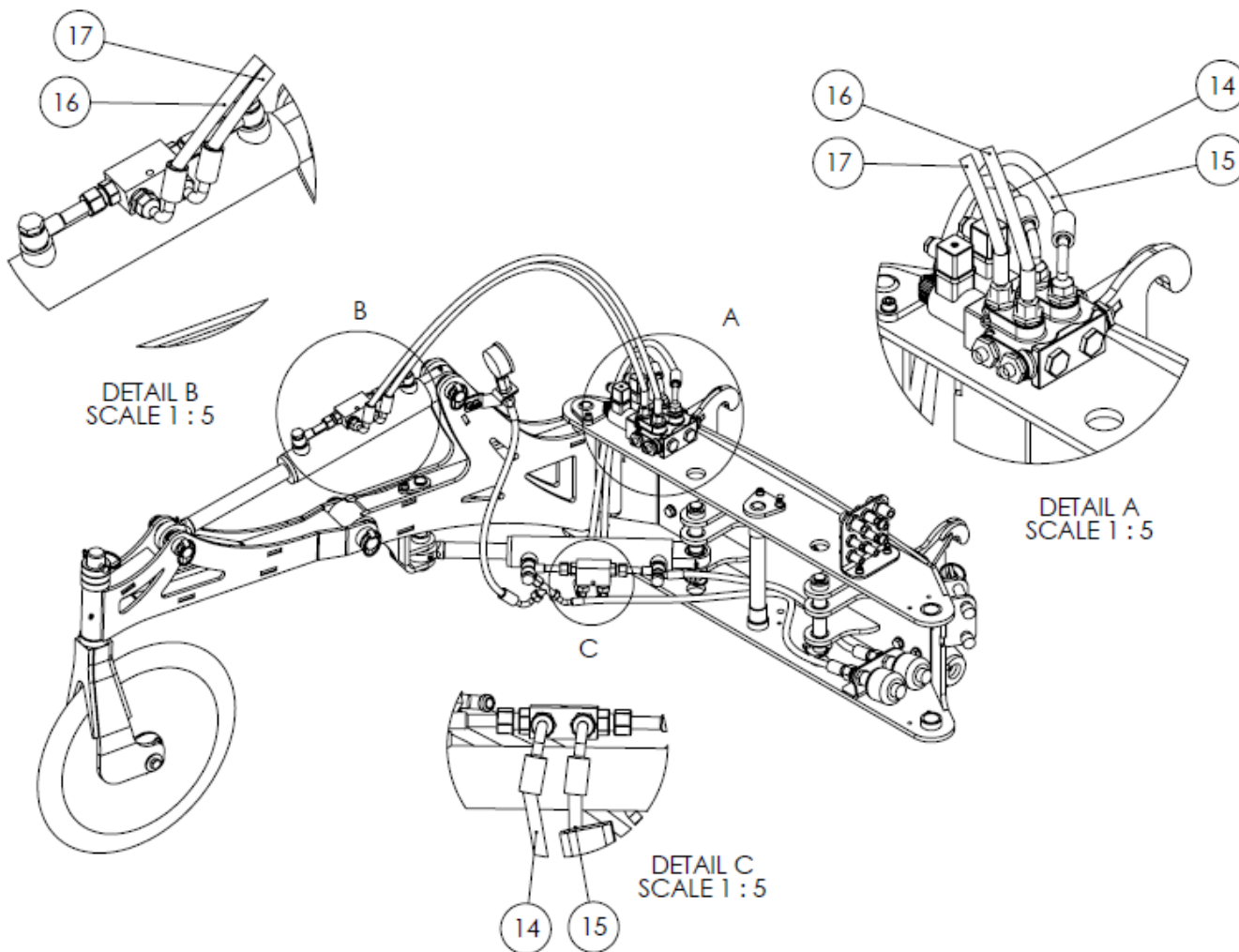
OBKS90-45 hydraulica/hydraulics,  
slangen/hoses



DETAIL B  
SCALE 1 : 5

#	Aantal/ Number	Artikelcode/ Code	Omschrijving	Discription
10	1	BEC250800	Slang OBKS90-45 8	Hose OBKS90-45 8
11	1	BEC250900	Slang OBKS90-45 9	Hose OBKS90-45 9
12	1	BEC251800	Slang OBKS90-45 18	Hose OBKS90-45 18
13	1	BEC251900	Slang OBKS90-45 19	Hose OBKS90-45 19

## OBKS90-45 hydraulica/hydraulics, slangen/hoses



#	Aantal/ Number	Artikelcode/ Code	Omschrijving	Discription
14	1	BEC251200	Slang OBKS90-45 12	Hose OBKS90-45 12
15	1	BEC251100	Slang OBKS90-45 11	Hose OBKS90-45 11
16	1	BEC251400	Slang OBKS90-45 14	Hose OBKS90-45 14
17	1	BEC251500	Slang OBKS90-45 15	Hose OBKS90-45 15

## OBKS90-45 hydraulica/hydraulics, slangen/hoses

#	Aantal/ Number	Artikelcode/ Code	Omschrijving	Discription
18	1	BEC251300	Slang OBKS90-45 13	Hose OBKS90-45 13
19	1	BEC251700	Slang OBKS90-45 17	Hose OBKS90-45 17
20	1	BEC251600	Slang OBKS90-45 16	Hose OBKS90-45 16

